



E0-R / E0-R230K

Display/button-function repeater for E-DSP

Repeater for handling long distances between the controller Corrigo E and the external control unit E-DSP.

- Supply voltage 24 V AC or 230 V AC
- Up to 6 Corrigo units can be addressed
- DIN or wall mounting

- Up to 1200 m cable length
- Model for wall mounting, protection class IP65
- The display text can be changed

E0-R... can be used when there is need for a remote display for Corrigo E and the distance between the controller and the display/buttons is more than 10 meters, preventing direct connection of E-DSP.

Up to 6 connected Corrigo units can be addressed using the RS485 port.

The display text for the connected units can easily be changed directly on the keyboard.

Models

The E0-R model should be mounted in a cabinet, has protection class IP20 and is supplied by 24 V AC.

E0-R230K is intended for wall mounting, has protection class IP65 and is supplied by 230 V AC.

Models

Model	Power supply	Protection class	Mounting
E0-R	24 V AC	IP20	DIN-rail
E0-R230K	230 V AC	IP65	Wall

Technical data

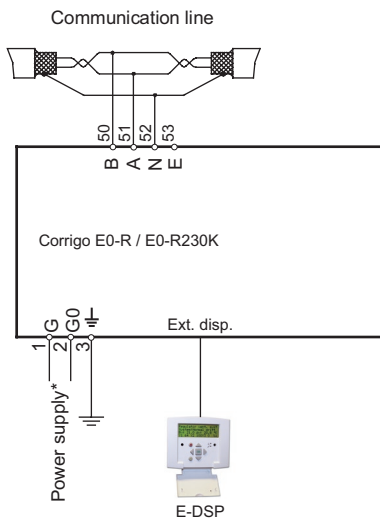
Max total length communication line

1200 m



This product conforms with the requirements of European EMC standards CENELEC EN 61000-6-1 and EN 61000-6-3, and the requirements of European LVD standard IEC 60 730-1. It carries the CE mark.

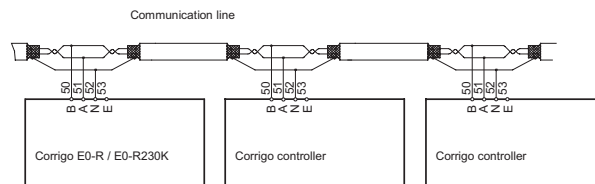
Wiring



*24 V AC (E0-R)
230 V AC (E0-R230K)

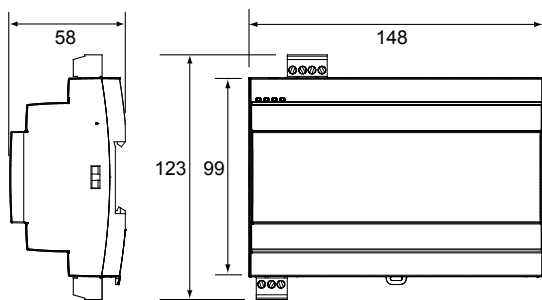
Wiring of the RS485 communication line

Use shielded twisted pair cable. Connect A to A and B to B. Connect the shield to N.

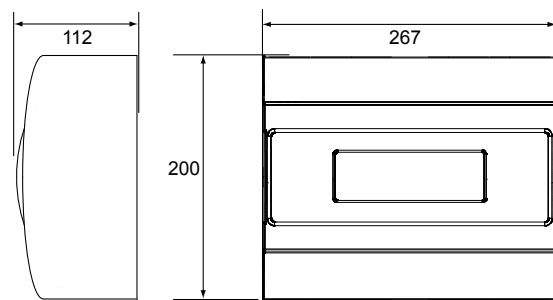


Dimensions

E0-R



E0-R230K



Product documentation

Document	Type
Product sheets Corrigo EV and EH	Information about the Corrigo E ventilation and heating controllers
Manuals Corrigo EV and EH	
Product sheet E-DSP	Information about E-DSP - external display unit for Corrigo E
Instruction E-DSP	

All product documentation is available on www.regin.se.

Head Office Sweden
Phone: +46 31 720 02 00
Web: www.regin.se
Mail: info@regin.se

Sales Offices
France: +33 14 171 46 46
Hong Kong: +852 24 07 02 81
Singapore: +65 67 47 82 33



THE CHALLENGER IN BUILDING AUTOMATION