



RRT025A

Room thermostat with fan switch

RRT025A is a wall mounted room thermostat for controlling fan coils. The thermostat has a switch for controlling fan speed. Another switch selects heating or cooling mode.

- Closing contact, 4 A (2A) 230 V AC
- Cooling or heating function
- On-off switch

RRT025A is an electro-mechanical thermostat for room mounting. The sensing element is a pair of gas-filled bellows with a stainless steel membrane which reacts to a change in temperature by creating a movement which is transmitted to the switch. The thermostat can be used for cooling or heating application. RRT025A also has a fan switch with three positions.

Setpoint

The thermostat has a temperature range of 10...30°C.

- Fan switch with three positions
- Temperature range 10...30°C
- Easy to install

Mounting

The thermostat has mounting holes of cc 60 mm and can be mounted on a standard wallbox.

Applications

Can be used in fan-coil units, with cooling and/or heating function.

Technical data

| | |
|---------------------|----------------------------|
| Sensor element | Unipolar gas filled bellow |
| Ambient temperature | 0...40°C |
| Storage temperature | -40...+50°C |
| Ambient humidity | Max 90% RH |



The product conforms with the requirements of the European LVD standard IEC 60 730-2-9 and carries the CE-mark.

Outputs

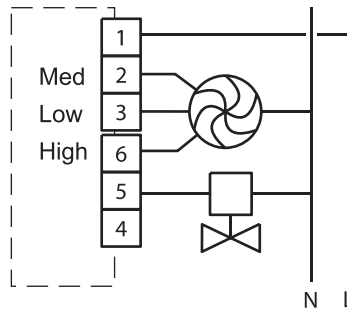
| | |
|---------------------------|--|
| Thermostat | One closing contact |
| Circuit breaking capacity | 4 (2) A, 230 V AC (Total load, actuator + fan) |

Settings

| | |
|------------------|--------------|
| Setpoint | 10...30 °C |
| Hysteresis | 0.6 K, fixed |
| Protection class | IP20 |

Connection

| | |
|---|--------------------------|
| 1 | Supply voltage 230 V AC |
| 2 | Fan, medium speed |
| 3 | Fan, low speed |
| 4 | Neutral |
| 5 | Heating / Cooling output |
| 6 | Fan, high speed |



Dimensions

