



TG-R5...

Room sensor

Sensor with NTC-element for measuring room temperature.

TG-R5... are room sensors intended for use with the Aqualine, PULSER, TM, TTC, Prigo and Floorigo ranges.

Temperature resistance table*

0...30°C	20...50°C	Resistance (kOhm)	0...40°C	Resistance (kOhm)
0	20	15.00	0	15.00
1		14.83	5	14.375
2		14.67	10	13.75
3		14.50	15	13.125
4		14.33	20	12.5
5	25	14.17	25	11.875
6		14.00	30	11.25
7		13.83	35	10.625
8		13.67	40	10.00
9		13.50		
10	30	13.33		
11		13.17		
12		13.00		
13		12.83		
14		12.67		
15	35	12.50		
16		12.33		
17		12.17		
18		12.00		
19		11.83		
20	40	11.67		
21		11.50		
22		11.33		
23		11.17		
24		11.00		
25	45	10.83		
26		10.67		
27		10.50		
28		10.33		
29		10.17		
30	50	10.00		

Resistance measurements can only be made when the sensor is not connected to a controller.

*Does not apply to TG-R530M

Models

Model	Temperature range
TG-R530	0...30°C
TG-R550	20...50°C
TG-R540*	0...40°C
TG-R530M**	0...30°C

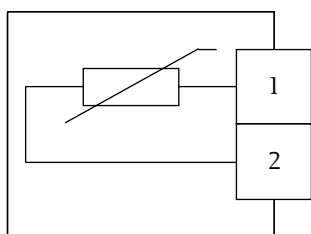
*For thermostats in the Prigo and Floorigo ranges.

**For measuring average room temperature, two TG-R530M are connected in series.

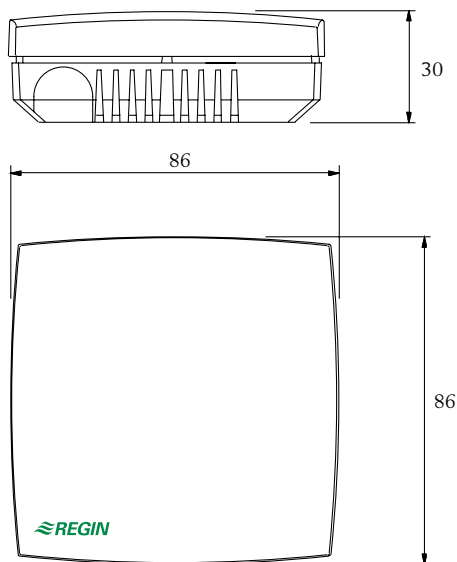
Technical data

Protection class	IP30
Sensor element	Linearised NTC sensor. Accuracy better than +/- 1°C.
Colour	Cover: Polar white RAL9010 Bottom part: Dark gray

Wiring



Dimensions (mm)



Head Office Sweden
Phone: +46 31 720 02 00
Web: www.regin.se
Mail: info@regin.se

Sales Offices
France: +33 14 171 46 46
Hong Kong: +852 24 07 02 81
Singapore: +65 67 47 82 33
Germany: +49 30 77 99 40

The logo consists of a stylized green wave symbol followed by the word "REGIN" in a bold, green, sans-serif font.

THE CHALLENGER IN BUILDING AUTOMATION