

PRESSURE TRANSMITTER FOR LEVEL MEASUREMENT ATM/K/N

**54****CE**

Features

- Compact and robust stainless steel assembly 1.4435 (316L)
- Capacitive ceramic sensor without oil filling
- High resistance and overpressure
- Gauge or absolute
- All pressure ranges between 0...50 mbar and -1...1000 bar available
- High reliability
- Short delivery time
- Customized versions
- Reverse polarity and short circuit protected
- Surge (lightning) protection according to EN 61000-4-5 as an option

Typical applications

Depth and level measurement in

- Wells
- Bore holes
- Waste water
- Reservoirs
- Lakes, rivers
- Sewage treatment plant

Specifications

Pressure range	[bar]	0.1	0.2 / 0.4	1	2	4	10 / 20
Overpressure	[bar]	4	6	10	18	25	40
Accuracy ¹⁾		≤ ± 0.25 % FS					
Thermal shift							
Zero	-20...80°C	≤ ± 0.01% FS/°C					
Span	-20...80°C	≤ ± 0.01%/°C					
Long term stability		≤ ± 0.15 % FS/year					

Electrical connection

Type	Two wire current transmitter 4...20 mA	Load resistance
Supply voltage	9...30 V DC	
with surge (lightning) protection	12...30 V DC	
Supply voltage influence	< 0.1% FS	
Circuit diagram		<p>Load resistance influence</p> <p>$R_L < \frac{U_b [V] - 9V}{0.02A}$</p> <p>< 0.1% FS</p>

Materials

Housing	Stainless steel 1.4435 (316L)	(other materials on request)
Diaphragm	Ceramic Al ₂ O ₃ (96%)	
Seals (standard)	Viton	

Electromagnetic compatibility

	Standard	Level	Typical interferences
Emission:			
EN 61000-6-3	Generic emission standard		
EN 55022	Emission, class B		
Immunity:			
EN 61000-6-2	Generic immunity		
EN 61000-4-2	Electrostatic discharge	4kV contact, 8kV air	
EN 61000-4-3	Radiated electro-magnetic field	10V/m, 80-1000 MHz, 80% AM 1kHz	Cellular phones, radio sets
EN 61000-4-3	Radiated electro-magnetic field (GSM)	10V/m, 950 MHz, 200Hz on/off	Digital portable phones
EN 61000-4-4	Fast transients (burst)	2 kV	Motors, valves
EN 61000-4-6	Conducted radio-frequency	10V, 0.15-80 MHz, 80% AM 1kHz	Cellular phones, radio sets
EN 61000-4-5 ²⁾	Surge	10 kA (8/20 μs)	Lightning strikes

¹⁾ Zero based non-conformity according to DIN 16086, including hysteresis and repeatability

²⁾ Only with optional surge (lightning) protection

Ordering Information

		54	X	. XXXX	. XXXX	. 13	. XXX
Type	ATM/K/N	54					
Pressure type	Gauge	1					
	Absolute	2					
Pressure range²⁾	All pressure ranges between 0...50 mbar and -1...1000 bar available		XX				
Version	Standard (Fig. 1)			85			
	Special version			99			
Electrical connection	PUR cable ¹⁾				30		
	PUR cable with G 1/2 M ¹⁾ (Fig. 2)				32		
	Special cable ¹⁾				99		
Output signal	4...20 mA					05	
	4...20 mA surge (lightning) protection					08	
Accuracy	≤ ± 0.25 % FS						1
Temperature range	-20...80°C compensated						3
Options	Special options						Z

¹⁾ Please specify the required cable length and media

²⁾ mH2O, mWS, mWC etc. available

Dimensions

Fig. 1

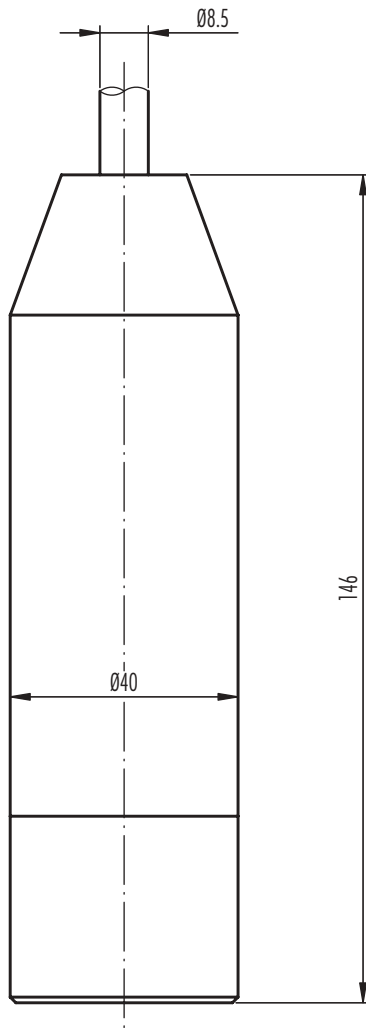
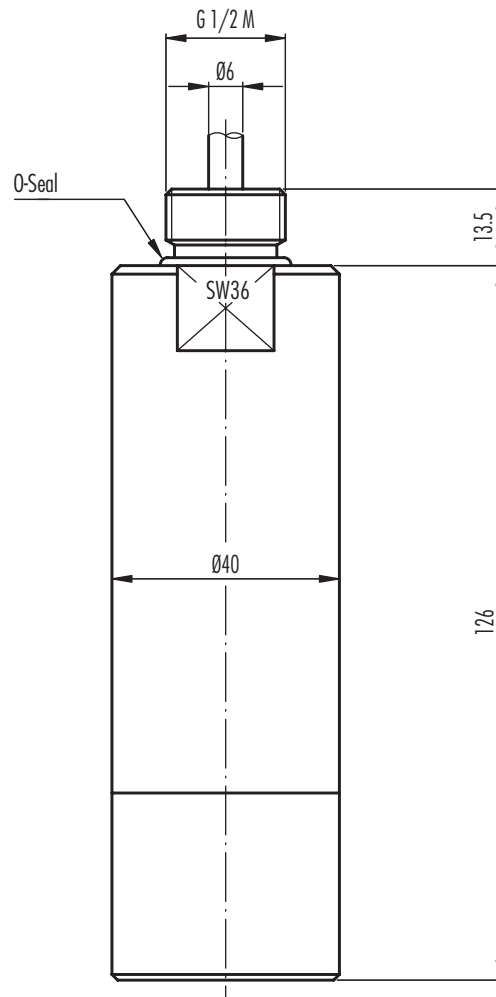


Fig. 2



Colour 2-Wire

white +Vin

yellow Pout

Specifications may change without notice.

DED026A

Switzerland	Germany	Italy	France	represented by
STS Sensor Technik Sirnach AG Rütihofstrasse 8 CH - 8370 Sirnach Tel.: +41 (0)71 969 49 29 Fax: +41 (0)71 969 49 20 e-mail: sales@sts-ag.ch Internet: www.sts-ag.com	STS Sensoren Transmitter Systeme GmbH Mercedesstrasse 1 D - 71063 Sindelfingen Tel.: +49 (0)7031 811 920 Fax: +49 (0)7031 811 958 e-mail: sts.gmbh@t-online.de Internet: www.sts-ag.com	STS Italia s.r.l. Via Gesù 5 I - 20090 Opera (MI) Tel.: +39 02 57607073/074 Fax: +39 02 57607110 e-mail: info@sts-italia.it Internet: www.sts-ag.com	STS France 66, Avenue de la Gare FR - 74100 Annemasse Tel.: +33 (0)4 50 37 69 25 Fax: +33 (0)4 50 39 42 25 e-mail: info@stsfrence.fr Internet: www.sts-ag.com	