



**TM2-24HC is a two step room thermostat for control of heating and cooling in sequence.**

- \* Sequential control of heating and cooling
- \* Supply voltage 24 V AC, 3A
- \* 24 V AC output to thermal actuator
- \* Setpoint knob can be locked
- \* Fits over an inset wallbox, c:c 60 mm
- \* LED indication on the front

## Function

TM2-24HC is an electronic room thermostat for wall mounting. It has a built-in temperature sensor and two outputs, one for heating and one for cooling. The outputs are mainly intended to control thermal valve actuators with supply voltage of 24V AC. There is a fixed neutral zone between heating and cooling to prevent these two functions being activated at the same time.

The thermostat has a snap-in cover and can be opened by pressing the plastic tongue on the lower edge with a screwdriver.

### LED Indication

LED:s on the front indicates when the outputs are activated; LED indicators show green for cooling and red for heating.

### Setpoint

The setpoint is set by means of the setpoint knob on the side. There are markings on the knob showing the middle point and a symbol for higher (red) and lower (blue) temperature.

The middle point on the knob corresponds to a

normal temperature of 22° C.

If a higher temperature is required the knob is turned to a position on the red side of the scale. If a lower temperature is required the knob is turned to a position on the blue side of the scale.

### Locking the setpoint knob

In order to eliminate the risk of tampering, the setpoint knob can be locked by means of a locking screw under the cover.

### Mounting

The thermostat is attached to the wall by two screws on the back plate. The screw pockets have a c:c of 60 mm to fit on a wall box.

### Typical application

Controlling a cooling ceiling in sequence with a heating coil.

## Technical data

Supply voltage	24 V AC +/- 15 % 50-60 Hz
Power consumption	1 VA
Ambient temperature	0...50°C
Storage temperature	-40...+50°C
Ambient temperature	Max 90% RH
Form of protection	IP30



This product conforms with the requirements of European EMC standards CENELEC EN 50081-1 and EN 50082-1 and carries the CE mark.

### Outputs

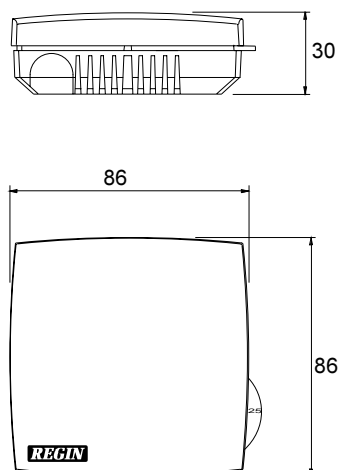
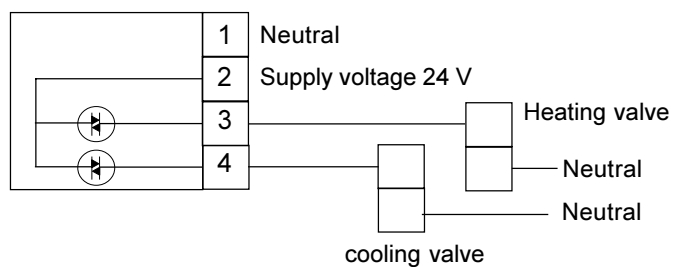
Heating	24 V AC output to thermal actuator, maximum 3A
Cooling	24 V AC output to thermal actuator, maximum 3A

### Setting

Setpoint	Fixed setpoint 22°C, adjustable -12...+8 K (means 10...30°C)
----------	--

Hysteresis	0,3 K, fixed
Neutral zone	1,3 K, fixed
LED	Green for cooling and red for heating ( on the front).

## Wiring and dimensions



FOR INDOOR CLIMATE WITH OPTIMUM CONTROL

### AB Regin

Box 116, SE-428 22 Källered, Sweden  
Visiting address: Bangårdsvägen 35

Phone: +46 31 795 44 60  
Fax: +46 31 795 38 50

www.regin.se  
E-mail: info@regin.se

Org.nr.: SE5564145502  
Säte: Mölndal